

# Tubebond Series

PFA Tube Fusion Bond Fittings  
For Use with PFA Tubing

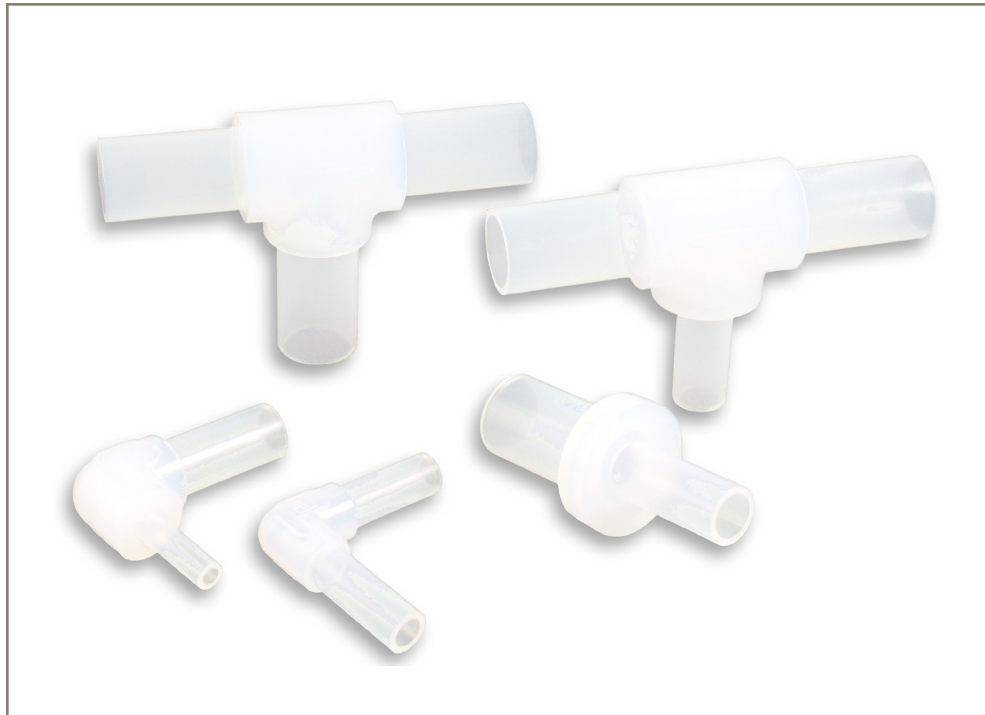
aerospace  
climate control  
electromechanical  
filtration  
fluid & gas handling  
hydraulics  
pneumatics  
process control  
sealing & shielding

## Bonded Fittings Eliminate Leaks with High Integrity Connections:

Many customers have systems that do not require removable components and have lower pressure requirements that may not require PFA pipe. It can be advantageous to use PFA fusion bondable fittings in these cases.

These fittings can be directly welded to the PFA tubing creating a leak free connection.

Fittings are available in a variety of sizes and configurations. Fitting sizes are available from 1/4" to 1" and in elbow, tee or reducer configurations.



## Contact Information:

Parker Hannifin Corporation  
Veriflo Division  
**Partek Operation**  
7075 East Southpoint Road  
Tucson, Arizona 85756

phone 520 574 2600  
fax 520 574 2700

www.parker.com/partek  
Mobile App: m.parker.com/veriflo

## Product Features:

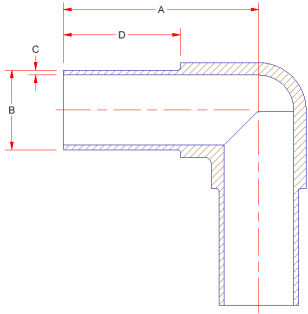
- Used for corrosive chemicals.
- Eliminates tube union leak points.
- Semiconductor grade PFA material.
- Available sizes are 1/4" to 1".
- Available in elbow, tees, reducers.
- Provides stronger tube connection than conventional fittings.



ENGINEERING YOUR SUCCESS.

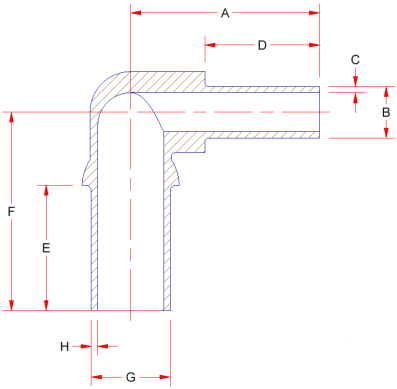
# Tubebond Series

## Elbow Connector, 90°



Model Number	Size	A		B		C		D	
		inch	mm	inch	mm	inch	mm	inch	mm
TE-44	1/4"	1.325	33.7	0.255	6.5	0.05	1.3	0.795	20.2
TE-66	3/8"	1.505	38.2	0.38	9.7	0.062	1.6	0.975	24.8
TE-88	1/2"	1.65	41.9	0.505	12.8	0.062	1.6	1.12	28.4
TE-1212	3/4"	1.918	48.7	0.77	19.6	0.062	1.6	1.228	31.2
TE-1616	1"	2.455	62.4	1.003	25.5	0.062	1.6	1.47	37.3

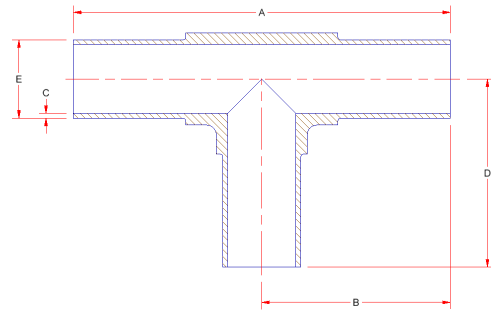
## Elbow Connector Reducer, 90°



Model Number	Size	A		B		C		D		E		F		G		H	
		in	mm	in	mm	in	mm	in	mm	in	mm	in	mm	in	mm	in	mm
TER-128	3/4"x1/2"	1.94	49.3	0.77	19.6	0.062	1.6	1.228	31.2	1.12	28.4	1.845	46.9	0.505	12.8	0.062	1.6
TER-1612	1"x3/4"	2.445	62.1	1.003	25.5	0.062	1.6	1.47	37.3	1.228	31.2	2.203	55.9	0.77	19.6	0.062	1.6

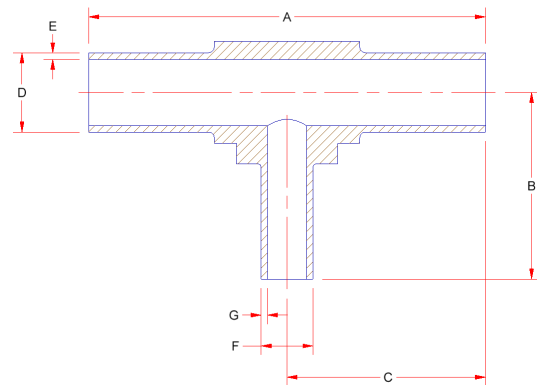
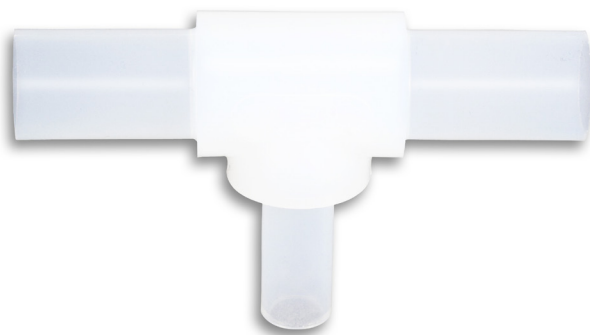
# Tubebond Series

## Tee Connector



Model Number	Size	A		B		C		D		E	
		inch	mm	inch	mm	inch	mm	inch	mm	inch	mm
TT-444	1/4"	2.65	67.3	1.325	33.7	0.05	1.3	1.315	33.4	0.255	6.5
TT-666	3/8"	3	76.2	1.5	38.1	0.062	1.6	1.505	38.2	0.38	9.7
TT-888	1/2"	3.29	83.6	1.645	41.8	0.062	1.6	1.645	41.8	0.505	12.8
TT-121212	3/4"	3.87	98.6	1.935	49.1	0.062	1.6	1.923	48.8	0.77	19.6
TT-161616	1"	4.83	122.7	2.415	61.3	0.062	1.6	2.498	63.4	1	25.4

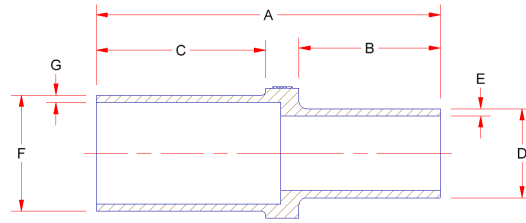
## Tee Connector Reducer



Model Number	Size	A		B		C		D		E		F		G	
		inch	mm	inch	mm	inch	mm	inch	mm	inch	mm	inch	mm	inch	mm
TTR-12128	3/4"x3/4"x1/2"	3.87	98.3	1.815	46.1	1.935	49.1	0.77	19.6	0.062	1.6	0.505	12.8	0.062	1.6
TTR-161612	1"x1"x3/4"	4.89	124.2	2.186	55.5	2.445	62.1	1.003	25.5	0.062	1.6	0.77	19.6	0.062	1.6

# Tubebond Series

## Reducer



Model Number	Size	A		B		C		D		E		F		G	
		inch	mm	inch	mm	inch	mm	inch	mm	inch	mm	inch	mm	inch	mm
TR-84	1/2" x 1/4"	2.205	56	0.795	20.2	1.12	28.4	0.255	6.5	0.05	1.3	0.505	12.8	0.062	1.6
TR-128	3/4" x 1/2"	2.653	67.4	1.12	28.4	1.228	31.2	0.505	12.8	0.062	1.6	0.77	19.6	0.062	1.6
TR-168	1" x 1/2"	2.88	73.2	1.12	28.4	1.47	37.3	0.505	12.8	0.062	1.6	1.003	25.5	0.062	1.6
TR-1612	1" x 3/4"	2.988	75.9	1.228	31.2	1.47	37.3	0.77	19.6	0.062	1.6	1.003	25.5	0.062	1.6

### OFFER OF SALE:

The items described in this document are hereby offered for sale by Parker-Hannifin Corporation, its subsidiaries or its authorized distributors. This offer and its acceptance are governed by the provisions stated in the detailed "Offer of Sale" elsewhere in this document or available at [www.parker.com/veriflo](http://www.parker.com/veriflo)

### WARNING USER RESPONSIBILITY

FAILURE OR IMPROPER SELECTION OR IMPROPER USE OF THE PRODUCTS DESCRIBED HEREIN OR RELATED ITEMS CAN CAUSE DEATH, PERSONAL INJURY AND PROPERTY DAMAGE. THIS DOCUMENT IS FOR REFERENCE ONLY. PLEASE CONSULT FACTORY FOR LATEST PRODUCT DRAWINGS AND SPECIFICATIONS

This document and other information from Parker-Hannifin Corporation, its subsidiaries and authorized distributors provide product or system options for further investigation by users having technical expertise.

The user, through its own analysis and testing, is solely responsible for making the final selection of the system and components and assuring that all performance, endurance, maintenance, safety and warning requirements of the application are met. The user must analyze all aspects of the application, follow applicable industry standards, and follow the information concerning the product in the current product catalog and in any other materials provided from Parker or its subsidiaries or authorized distributors.

To the extent that Parker or its subsidiaries or authorized distributors provide component or system options based upon data or specifications provided by the user, the user is responsible for determining that such data and specifications are suitable and sufficient for all applications and reasonably foreseeable uses of the components or systems.